

GASPARDO

Supplied By

DELMADE PTY LTD

Shaping the Land



***IN-LINE DIRECT SEED DRILL
RANGE***

IN-LINE DIRECT SEED DRILL RANGE

GASPARDO EXPERIENCE AT YOUR SERVICE

The GASPARDO in-line direct seed drills are the product of recognized experience and accumulated know-how to which whole generations of both engineers and farmers have contributed over almost two centuries in the business. Today, GASPARDO offers a comprehensive range of direct seed drills to cater to the demands of farmers and contractors, with an array of highly adaptable products with plenty of configuration options that place seeding quality, environmental sustainability and return on investment above all else.

The direct drilling range features models with mechanical or pneumatic distribution, and both fixed and folding frame versions.



GASPARDO's background in DIRECT drilling

In 1989, GASPARDO produces DIRETTA, the first in-line seeder for drilling seed into untilled soil.

Today, 30 years on from that first model, GASPARDO continues to perfect its creations, introducing innovations that have allowed our direct drilling machines to set a benchmark for farmers and contractors



CONTENTS

GASPARDO seeding unit	4
The perfect seeding line	6
Features	8
GENIUS MASTER	10
Pneumatic distribution	12
GIGANTE PRESSURE	14
Pressurized distribution	16
Mechanical distribution	18

AGRONOMIC BENEFITS



- Increased soil fertility
- Increased organic matter and humus
- Increased crop-benefiting microbial activity
- Less soil compaction
- Less oxidative stress on soil
- Less risk of water ponding
- Less soil erosion

FINANCIAL BENEFITS



- Less time spent working soil
- Great fuel savings for field operations
- Increased work window
- Minimized machine inventory
- Less financial risks in the case of extraordinary weather events

ENVIRONMENTAL BENEFITS



- Ultimate epitome of Conservation Agriculture
- Soil serves as CO₂ sink
- Reduced emission of climate-changing gases
- Minimal loss of fertile soil to erosion
- No destruction of soil's structural colloidal system

GIGANTE PRESSURE



Supplied By DELMADE

1800 335 623 | www.delmade.com.au

Supplied By DELMADE

1800 335 623 | www.delmade.com.au

GASPARDO seeding unit

Always at the cutting edge

GASPARDO, your direct line to quality!

The seeding unit designed and manufactured entirely by GASPARDO delivers reliable, quality direct drilling, regardless of seed type and actual conditions in the field, even where there is a lot of stubble to contend with. The considerable down pressure (up to 260 kg) allows it to easily cut a seeding line even through tough soil. Seeding depth remains constant thanks to the independent furrow-opening and furrow-closing movements. GASPARDO direct seed drills offer an extensive range of adjustments, to better adapt to soil conditions and the farmer's own preferences.

CROP RESIDUE CUTTING

The shoe cuts any crop residue so that it does not get in the way of seed growth.

SEED FURROW CREATION AND SEED DROP

The special shape of the coulter is responsible for creating the seed furrow and the seed is dropped in.

FURROW CLOSING

The seed press wheel has a truncated cone shape designed for excellent furrow closing, producing the right conditions to promote germination.



KEY POINTS

Unit height spring: adjusts soil cutting depth

Soil scraper with WIDIA plate

Interchangeable depth gauge wheel

Disc coulter Ø 475 mm

Supplied By DELMADE
1800 335 623 | www.delmade.com.au

Closing wheel pressure adjustment spring

Closing wheel

Seed press wheel arm operated independently

Interchangeable wear-resistant cast iron shoe

Supplied By DELMADE
1800 335 623 | www.delmade.com.au

The perfect seeding line

THE RIGHT COULTER FOR EVERY SITUATION

The 6mm-thick coulters with a diameter of 475 mm easily slice through soil and aggressively cut back crop residue.



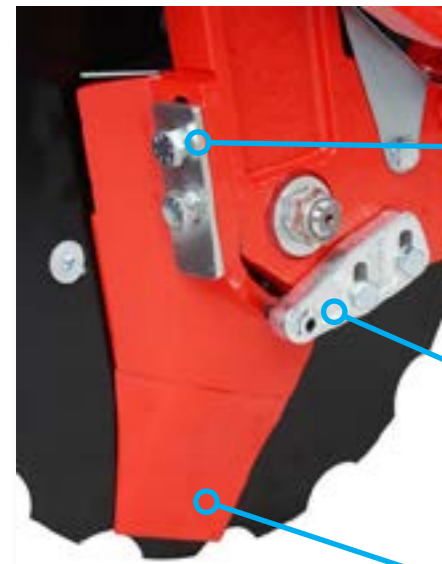
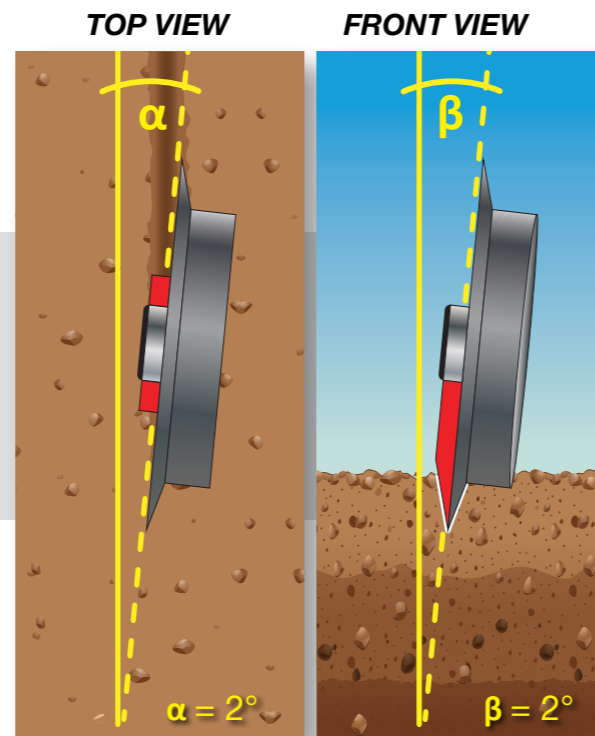
Cutting profile:

A) **Plain disc:** unbeatable residue cutting capacity, suitable both for very tough, dry soils, and for situations where forage is cut flush with the ground, where the surface is to remain clear.

ANGLES THAT COUNT

The disc's double 2° angle has been designed to optimize the seed's germinative conditions in untilled soil, including wet and tough soil, in addition to ensuring less power draw for pulling.

$\alpha = 2^\circ$ converging on horizontal axis
 $\beta = 2^\circ$ angle to vertical axis



Shoe height adjustment screws

Cast steel shoe retainer

Interchangeable point

FAST ROOT GROWTH

The GASPARDO seeding unit shoe is the part that forms the seedbed and drops in the seed. It forms the ideal germination environment, generating a fine-textured soil for subsequent closing of the seed furrow, without compacting its walls. Its tapered profile reduces resistance to forward travel, and ensures materials have a longer service life. The shoe is height adjustable, while the point is interchangeable so it can be replaced.

Supplied By DELMADE

1800 335 623 | www.delmade.com.au

The right depth for each seed

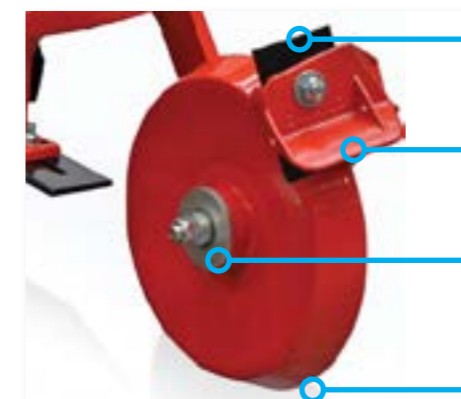
ACCURATE SEEDING DEPTH CONTROL

The tapered gauge wheels ensure the unit sits stably on the ground, and thanks to the considerable down pressure, deliver consistent seeding depth, even when encountering obstacles during forward travel.

- **Farmflex wheel:** soft rubber gauge wheel with quick seeding depth pin adjustment.



Rubber Farmflex Diameter: 400 mm Width: 115 mm
 Depth: 0-8 cm
 For light, dry or minimum tilled loose soils.



Soil scraper with Widia plate

Deflector for wet soil

Bearings with two rows of balls for greater hold

Tapered cross-section for directing soil into the furrow

EFFECTIVE SEED FURROW CLOSING

With its truncated cone shape and slight angle to the vertical, the closing wheel is designed to cover the seed with the soil displaced by the shoe. The rocker arm, which is independent from the furrow opener, is designed to allow the unit to follow the undulating contours of the ground, even on very uneven ground. Down pressure can be adjusted with a spring.

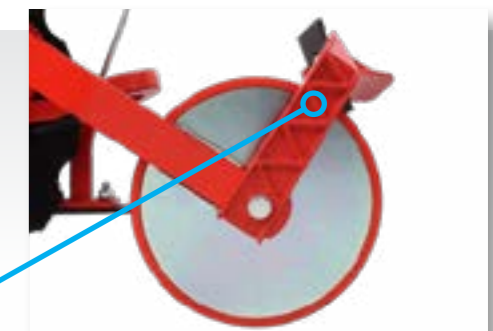
NO CLOGGING WITH RESIDUE

Available as an optional extra, the anti-clogging steel guard stops crop residue from hindering the closing wheel's rotation.

Cast steel soil scraper mount

Supplied By DELMADE

1800 335 623 | www.delmade.com.au



Features ...worthy of a top-class machine



A

EXCEPTIONAL IN-FIELD MANOEUVRABILITY AND STABILITY

GASPARDO direct seed drills have an articulated drawbar connected to the tractor's lift (A). This system allows for easy manoeuvring, even in the tightest spaces, thanks to the 2-way swivel joint. In addition, it means the front of the seed drill can be lifted.



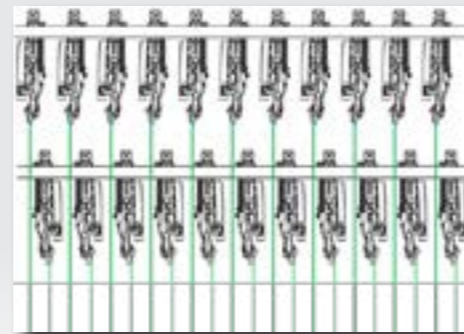
POST-SEEDING FINISHING

The seed-covering harrow performs finishing, evening out the seeded surface. If you are dealing with crop residue, the harrow can be disengaged to avoid clogging. Bar tilt and down pressure are quick and easy to adjust.

18CM ROW SPACING

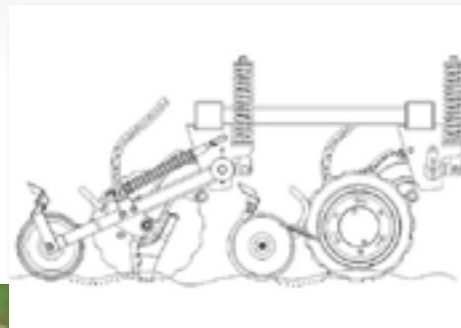
GASPARDO direct seed drills have a standard 15cm row spacing. With the units laid out in two opposite rows, weight is perfectly balanced and the implement does not drift off to the side as it is pulled.

Row spacing can be doubled to 36 cm by disengaging every other row, and this goes for both mechanical and pneumatic distribution models.



LIFTABLE ROAD WHEELS

Wheels for road travel can be lifted out of the way hydraulically while working for improved down pressure and to avoid wheels running over the seed that has just been placed. This can be a useful feature when working in very wet conditions, making the seed drill easier to pull.



HIGH GROUND CLEARANCE

The coulter units are arranged in 2 well spaced out rows to stop the components clogging, especially on ground with a lot of residue. This feature is further complemented by the units' high ground clearance.



NARROW ROW SPACING

The range includes models for 15cm reduced row spacing. This is an especially attractive solution when dealing with grassland groundcover and whenever stubble is very long.



GENIUS MASTER



ISOBUS UNIVERSAL LANGUAGE

GENIUS MASTER makes communicating with electrically driven seed drills highly intuitive through the tractor's ISOBUS terminal: a single connecting cable is used to link the seed drill/tractor for monitoring and controlling all seeding functions.



A single connecting cable



Versatility for application with our other equipment



Universal language with the main tractor brands

SOLUTIONS FOR NON-ISOBUS TRACTORS

GASPARDO supplies a compatibility kit, which comprises the ISOBUS terminal and cabling to enable communication between electrically driven seed drills and non-ISOBUS tractors.

Tera 7 - Universal Monitor

ISOBUS monitoring functions - read only:



Backlit 7" graphic display

- Seeding density control
- Manual seeding shut-off
- Seeding alarms
- Seeding parameter display

Touch 800 - ISOBUS Terminal

Advanced ISOBUS monitoring functions (read+precision farming):



Backlit 8" graphic display

- TERA 7 functions
- Prescription map import
- Georeferenced seeding data export
- Automatic seeding shut-off
- Variable input rate

ISOBUS and Precision Farming

ELECTRICALLY DRIVEN SEED DRILLS

The revolutionary GASPARDO electric-drive system based on the ISOBUS communication protocol is an innovative solution that simplifies the seed drills' mechanical construction: in lieu of gearboxes, chains and belts, the tractor's terminal becomes the control centre during seeding. As a result, adjustment is quick and easy, with setup taking considerably less time.

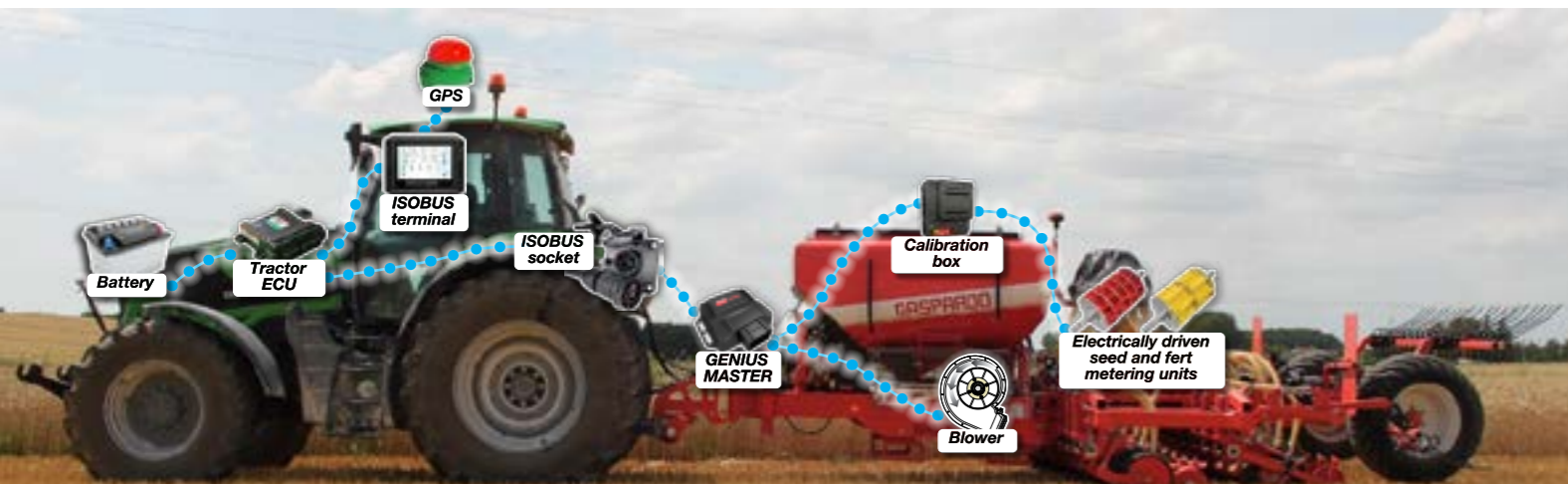


TECHNOLOGY CATERING TO FARMERS' NEEDS

- Less mechanical parts to maintain
- Seeding density managed directly via the tractor terminal
- Seeding functions monitored and changed in real time
- ISOBUS communication between seed drill and tractor
- Management via GENIUS MASTER
- Precision Farming: variable rate and automatic section shut-off
- Remote link with MG-Live (Agriculture 4.0)

TECHNOLOGY AT THE CUTTING EDGE OF PRECISION FARMING

The GENIUS MASTER system manages all Precision Farming-related ISOBUS functionalities. In this sense, the terminal takes information from the prescription maps on the conformation and variable fertility of soils, relaying relevant automatic commands to the ISOBUS electrically driven seed drill.



Supplied By DELMADE

1800 335 623 | www.delmade.com.au

	Tera 7	Touch 800	
UT ISOBUS universal terminal	✓	✓	Sections are switched on and off automatically. There is no overlapping of seeding areas.
TC-BAS Data transfer to PC	✗	✓	You can read prescription maps and export field operation data.
TC-GEQ Variable rate	✗	✓	Variable seeding density depending on the land's different production zones.
TC-SC Automatic section control	✗	✓	Sections are switched on and off automatically. No overlapping of areas that have already been sown.

Supplied By DELMADE

1800 335 623 | www.delmade.com.au

Pneumatic distribution

THE RIGHT ROLLER FOR EVERY NEED

Based on the type and shape of the seed to be distributed, there are four metering rollers to choose from for the seed, and one for the fertilizer. They have different configurations to deliver the right seed rate, and hence speed of rotation, depending on the seed, the target population and the width of the machine. A high number of staggered flutes ensures even distribution, and delivery is never "pulsed". There are rollers available with blind flutes to reduce the metering rate while maintaining a suitable speed of rotation. The aluminium casing of the meter and the plastic used for the rollers ensure long service life and corrosion resistance.



G1000 – HIGH SEEDING DENSITY

For distributing medium and large seed at high rates (over 250 kg/ha).

F25-125 – SMALL SEEDS

Ideal for fine seeds, which are generally distributed at low rates. Option of dropping the amount distributed to less than 3 kg/ha by disengaging one or more segments of the roller.



N500 – MEDIUM SEEDING DENSITY

Suitable for seeding autumn-winter cereals at medium rates (up to 250 kg/ha).



G626 – FERTILIZER

Suitable for localized fertilizer distribution at the same time as seeding.



G1000 R26 – LARGE SEEDS

Suitable for large seeds. The concave shape proves useful for avoiding breakage as a result of the seed's size.

CONVEYED VOLUMETRIC SEED AND FERTILIZER METERING

Volumetric metering units combined with the GASPARDO pneumatic seed and fertilizer conveying system deliver accurate, even sowing every time. The seed and fertilizer hoppers have been carefully designed to ensure sufficient capacity for extended operating time between fills and simultaneous reloading.

The two products are metered independently, conveyed along the seed tube and delivered into the same furrow by the pneumatic system.



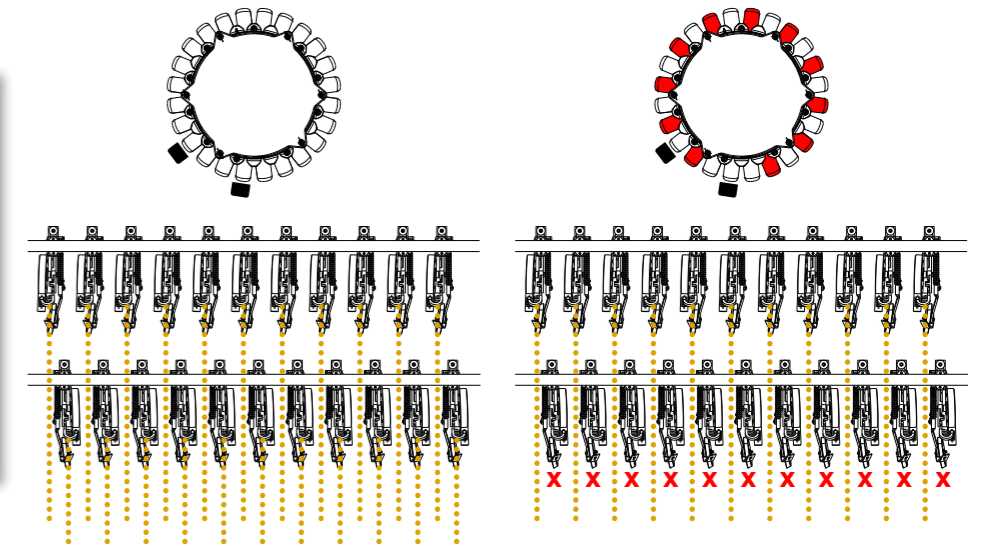
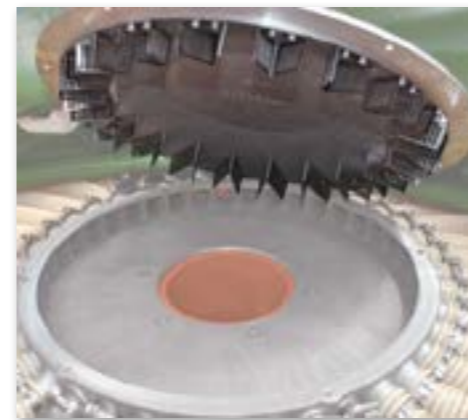
SEEDING WITHOUT DELAY OR WASTE

The automatic PRE-START function preloads the metering rollers with product to avoid seeding delays at restart.

The manual PRE-STOP function instead stops distribution early, to avoid overlapping or loss of product at the end of the field.

DOUBLING ROW SPACING

By changing the cover on the distribution head, you can disengage the second seed row to double the row spacing from 18 to 36 cm.



Supplied By DELMADE
1800 335 623 | www.delmade.com.au

GIGANTE PRESSURE

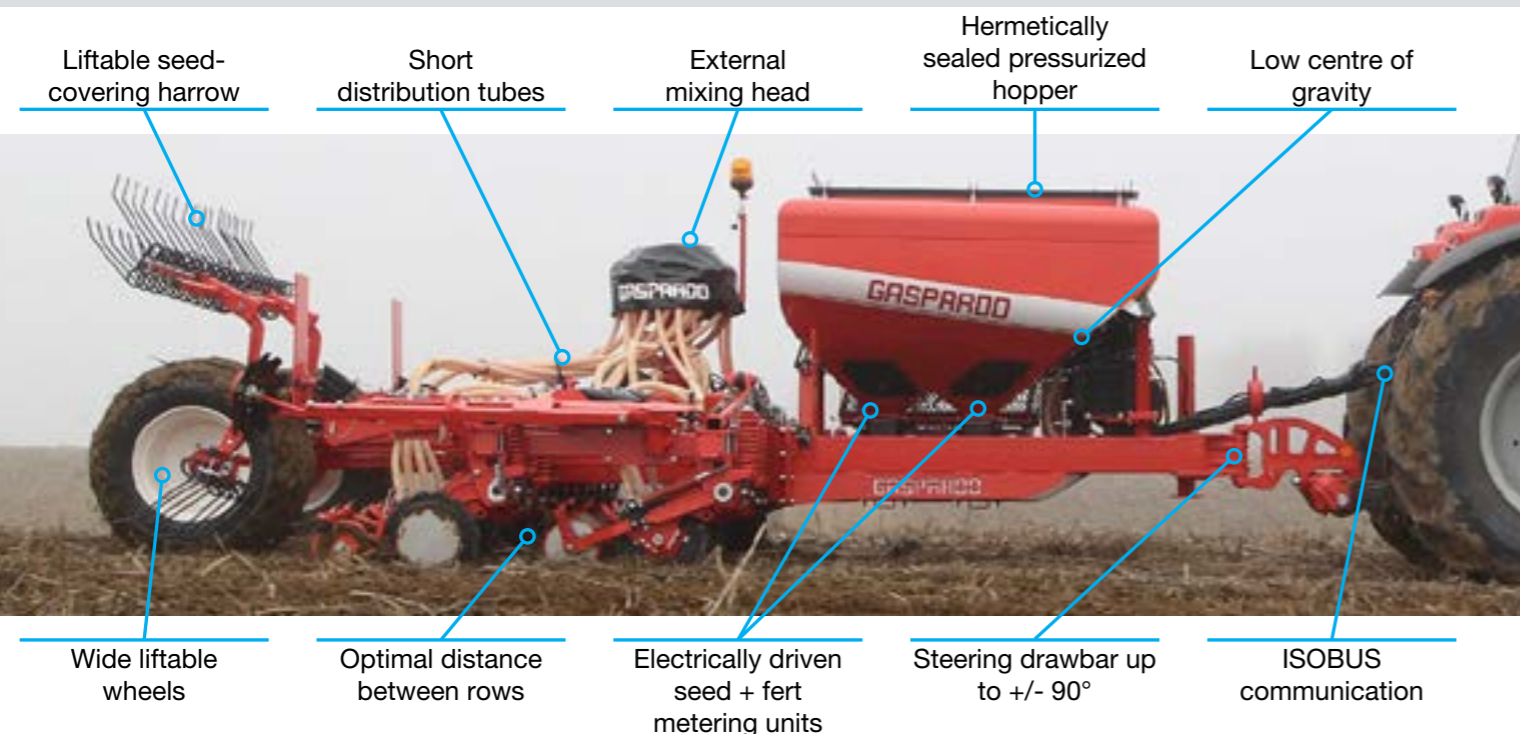
Pneumatic seed drill with pressurized hopper



GIGANTE PRESSURE

GIGANTE PRESSURE

GASPARDO's flagship model in the direct drilling range with pneumatic seed and fertilizer distribution, available in both fixed and folding frame versions. The innovative pressurization system optimizes distribution efficiency from the hopper to the seed furrow. With the hopper's lowered centre of gravity, GIGANTE PRESSURE's manoeuvrability is second to none, even when faced with steep slopes.



ISOBUS digital seeding

The metering units' electric-drive system makes GIGANTE PRESSURE a fully digital control solution. The tractor's ISOBUS terminal handles seed calibration and work parameter control. In addition, it allows you to access the Precision Farming functions, such as variable rate and automatic section shut-off.

Centralized greasing

A feature unique to GIGANTE PRESSURE is the centralized greasing point, conveniently located on the side of the machine, to which the rotating pins of each unit are connected. This optional kit lets you reduce the additional time taken to perform routine maintenance on the seeding units.



MODEL	VERS.	ROWS (no.)	ROW SPACING (cm)	ON-ROAD WIDTH (cm)	SEED / FERTILIZER HOPPER (L)	WHEEL WEIGHT CAST IRON / RUBBER (kg)	MIN. TRACTOR POWER (HP/kW)
GIGANTE PRESSURE	300	17	15 - 18	310	1860/980	4226/4090	184/135
	400	22			1860/980	5520/5360	184/135
	500	28			2240/1170	7090/6850	200/150
	600	33			2240/1170	7340/7100	200/150

Supplied By DELMADE

1800 335 623 | www.delmade.com.au

Supplied By DELMADE

1800 335 623 | www.delmade.com.au

Pressurized distribution

High crop efficiency

QUALITY DISTRIBUTION AT PEAK EFFICIENCY

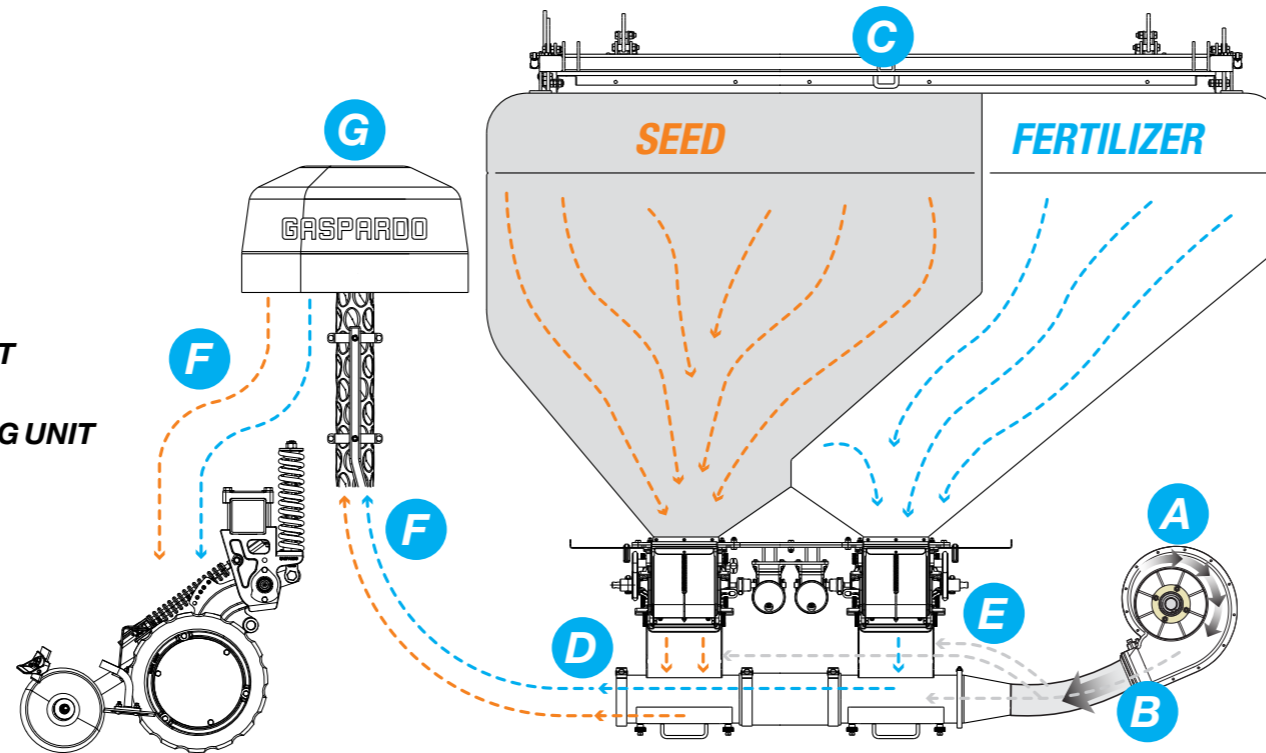
The GASPARDO pressurized distribution system ensures even more accurate and even product delivery than regular systems, reducing the blower's energy consumption. The pressure created is the result of the air generated by the blower introduced into the hopper, which is hermetically sealed by the top hatch. Pressure is kept constant as product empties from the hopper, translating into excellent distribution quality regardless of working condition, especially on steep slopes.

LOWERED CENTRE OF GRAVITY

With the pressurization of the hopper and externally located distribution head, GIGANTE PRESSURE has a very low centre of gravity. This feature becomes vitally important above all when sowing in very steep areas, making for excellent machine manoeuvrability as well as stability.



- A** PRODUCT CONVEYING BLOWER
- B** AIRFLOW FOR PRESSURIZATION
- C** HERMETICALLY SEALED HATCH
- D** ELECTRICALLY DRIVEN SEED METERING UNIT
- E** ELECTRICALLY DRIVEN FERTILIZER METERING UNIT
- F** CONVEYING LINE WITH NO CHOKE POINTS
- G** EXTERNAL DISTRIBUTION HEAD



WELL-DESIGNED HOPPER

The GIGANTE PRESSURE pressurized hopper is split into two compartments: 2/3 for seed and 1/3 for fertilizer. The funnel shape ensures product is fed into the metering units even on steep ground, on both side and longitudinal slopes. The radiused interior makes for easier cleaning. Because the distribution head is located on the outside, it maximizes the hopper's interior capacity to hold more product.



DIGITAL SEED CALIBRATION

With the GENIUS MASTER digital system, calibration on the GIGANTE PRESSURE is quick and simple. The calibration box on the seed drill or ISOBUS terminal operative the electrically driven metering units directly to perform product weighing on the precision scale (provided).

SEED AND FERTILIZER IN A SINGLE PASS

The GIGANTE PRESSURE distribution system allows you to spread seed and fertilizer in a single pass of the field, promoting great root efficiency in assimilating the product. Ideal for optimizing the rapid germination effect with phosphorus-based fertilizers, especially in untilled soil, given the immobility of this nutrient.



ACCESSORIES - SOME ACCESSORIES ARE AVAILABLE ONLY BY SPECIAL ORDER

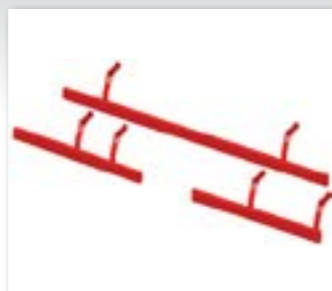


PTO coupling sizes Z8-Z20-Z21 to Z6



Pump gearbox 540 rpm 3/8" Z6

Supplied By DELMADE
1800 335 623 | www.delmade.com.au



Stalk-stomper front bar



Electronic scale for metering calibration



Manual row shut-off



Single electric row shut-off (max. 9+9 motors)

Supplied By DELMADE
1800 335 623 | www.delmade.com.au



Pneumatically controlled braking system



Hydraulically controlled braking system

Mechanical distribution

ALL-ROUND QUALITY SEEDING

The GASPARDO mechanical distribution system ensures correct, even product metering along the full sowing width.

The GASPARDO series of metering rollers makes it possible to work with a wide range of seed types: from fine seeds like rapeseed, clover and grass, to larger diameters like cereals, soya, peas and tic beans, without compromising seeding uniformity.



4 steps

for the perfect adjustment!

SIMPLE, FAST ADJUSTMENT

The GASPARDO mechanical distribution system allows for accurate metering of different types of seeds. With the quick and versatile adjustment system, you can tailor the seed drill's setup to suit individual requirements. The manual that comes with the machine and the tables on the seed drill itself are provided to help you with the adjustment procedure. This makes it really quick and simple to adjust the system from one type of seed to the next, following the 4 steps below.

1

POST-SEEDING FINISHING

The seed-covering harrow performs finishing, evening out the seeded surface. If you are dealing with crop residue, the harrow can be disengaged to avoid clogging. Bar tilt and down pressure are quick and easy to adjust.



2

PROBE ADJUSTMENT

The correct positioning of the probes ensures gentle treatment of the seed in order to avoid breakage and to maintain smooth, constant distribution.

The probe adjustment lever is situated on the left side of the machine and can be set from 0 to 9 along a graduated scale depending on seed size.



3

SETTING SHUTTER SLIDES

The outlet shutter slides have three positions for adjusting the quantity of seed exiting the hopper.



4

METERING ROLLERS

Depending on the size of the seed, you can choose the most suitable combination of rollers for the job. The small peg roller is recommended for small seeds; while a key can be inserted in the hole to engage the large peg roller, which becomes integral with its smaller counterpart to distribute more seed or to handle larger seeds.



Supplied By DELMADE

1800 335 623 | www.delmade.com.au

Supplied By DELMADE

1800 335 623 | www.delmade.com.au

GASPARDO